

QUICKTRONIC PROFESSIONAL M

ECG for CFL



Areas of application

- Emergency lighting systems acc. to EN 50172 / DIN VDE 0108-100
- Public buildings
- Sports halls and factories
- Suitable for luminaires of protection class I

Product family benefits

- Long lamp life
- No adverse effect from frequent on/off switching
- Automatic restart after lamp replacement
- Perfect lamp start for applications with motion sensors
- Separate installations thanks to optional cable clamp for K2 and K3 casings
- VDE/VDE EMC certified system

Product family features

- Supply voltage: 220...240 V
- Line voltage: 198...264 V
- Line frequency: 0 Hz | 50 Hz | 60 Hz
- Lamp start with optimum filament preheating
- Energy Efficiency Index EEI: A2
- Automatic shutdown of defective lamps and at end of life (EoL T.2)
- Lamp operation: to EN 60929
- Safety: to EN 61347-2-3

Product family datasheet

Technical data

Electrical data

Product description	Input voltage AC	Nominal voltage	Mains frequency	Input voltage DC
QTP-D/E 2X10...13 ¹⁾	198...264 V	220...240 V	50...60 Hz	176...276 V ²⁾
QTP-T/E 1X18,2X18	198...264 V	220...240 V	50...60 Hz	176...264 V
QTP-T/E 1X26...42,2X26 ¹⁾	198...264 V	220...240 V	50...60 Hz	176...276 V
QTP-D/E 1X10...13 ¹⁾	198...264 V	220...240 V	50...60 Hz	176...276 V ²⁾

¹⁾ See product remark

²⁾ Minimum voltage for lamp ignition: 198 V

Light technical data

Product description	Starting time
QTP-D/E 2X10...13 ¹⁾	1.0 s
QTP-T/E 1X18,2X18	1.0 s
QTP-T/E 1X26...42,2X26 ¹⁾	1.0 s
QTP-D/E 1X10...13 ¹⁾	1.0 s

¹⁾ See product remark

Dimensions & weight

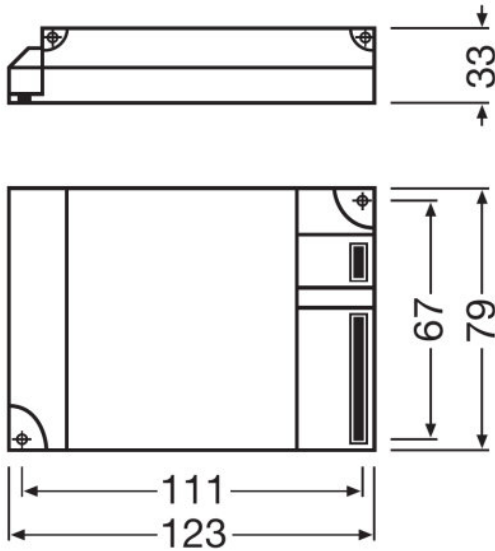
Product description	Length	Width	Height	Mounting hole spacing, length	Product weight	Cable cross-section, input side
QTP-D/E 2X10...13 ¹⁾	123.0 mm	79.0 mm	33.0 mm	111.0 mm	190.00 g	0.5...1.5 mm ²
QTP-T/E 1X18,2X18	103.0 mm	67.0 mm	31.0 mm	94.0 mm	149.00 g	0.5...1.5 mm ²
QTP-T/E 1X26...42,2X26 ¹⁾	103.0 mm	67.0 mm	31.0 mm	94.0 mm	148.50 g	0.5...1.5 mm ²
QTP-D/E 1X10...13 ¹⁾	93.0 mm	58.0 mm	29.0 mm	84.0 mm	100.00 g	0.5...1.5 mm ²

Product description	Cable cross-section, output side
QTP-D/E 2X10...13 ¹⁾	0.5...1.5 mm ²
QTP-T/E 1X18,2X18	0.5...1.5 mm ²
QTP-T/E 1X26...42,2X26 ¹⁾	0.5...1.5 mm ²
QTP-D/E 1X10...13 ¹⁾	0.5...1.5 mm ²

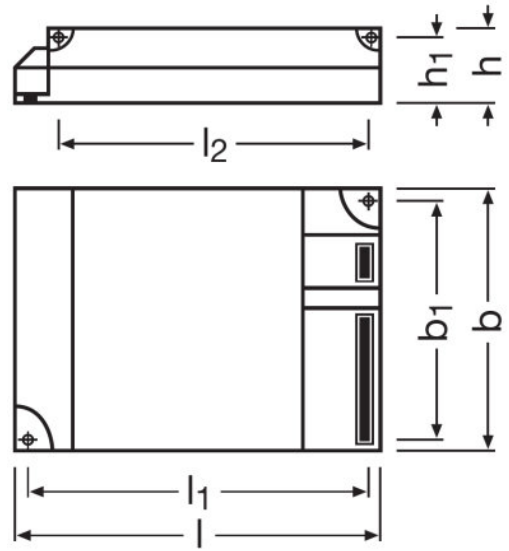
¹⁾ See product remark

Product family datasheet

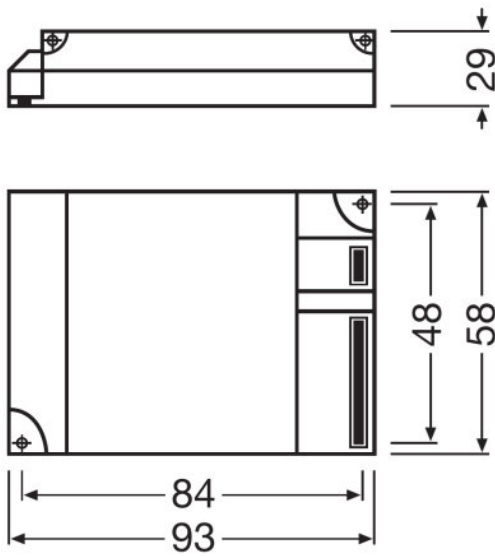
Product line drawing



QTP-D/E 2X10...13



QTP-T/E 1X18,2X18, QTP-T/E 1X26...42,2X26



QTP-D/E 1X10...13

Product family datasheet

Temperatures & operating conditions

Product description	Ambient temperature range
QTP-D/E 2X10...13 ¹⁾	-20...+50 °C
QTP-T/E 1X18,2X18	-20...+50 °C
QTP-T/E 1X26...42,2X26 ¹⁾	-20...+50 °C
QTP-D/E 1X10...13 ¹⁾	-20...+50 °C

¹⁾ See product remark

Lifespan

Product description	ECG lifetime
QTP-D/E 2X10...13 ¹⁾	50000 h ²⁾
QTP-T/E 1X18,2X18	50000 h ²⁾
QTP-T/E 1X26...42,2X26 ¹⁾	50000 h ²⁾
QTP-D/E 1X10...13 ¹⁾	50000 h ²⁾

¹⁾ See product remark

²⁾ At $T_{case} = 75^{\circ}C$ at T_{c_point} / 10% failure rate

Expected Lifetime

Product name	Lamp group				
QTP-T/E 1X18,2X18	DULUX T/E 18 W	ECG ambient temperature [ta]	40	50	60
		Temperature at tc-point [°C]	55	65	70
		Lifetime [h]	100000	100000	60000
Product name	Lamp group				
QTP-T/E 1X26...42,2X26	DULUX T/E 26 W	ECG ambient temperature [ta]	40	50	60
		Temperature at tc-point [°C]	55	65	70
		Lifetime [h]	100000	100000	60000
	DULUX D/E 26 W	ECG ambient temperature [ta]	40	50	60
		Temperature at tc-point [°C]	55	65	70
		Lifetime [h]	100000	100000	60000
	DULUX T/E 42 W	ECG ambient temperature [ta]	40	50	60
		Temperature at tc-point [°C]	55	65	70
		Lifetime [h]	100000	100000	60000

Product family datasheet

Capabilities

Product description	Suitable for fixtures with prot. class	End of lamp life safety shutdown
QTP-D/E 2X10...13 ¹⁾	I / II	EOL T.2
QTP-T/E 1X18,2X18	I / II	EOL T.2
QTP-T/E 1X26...42,2X26 ¹⁾	I / II	EOL T.2
QTP-D/E 1X10...13 ¹⁾	I / II	EOL T.2

¹⁾ See product remark

Certificates & standards

Product description	Approval marks – approval	EEI – Energy Label	Protection class
QTP-D/E 2X10...13 ¹⁾	VDE / VDE-EMC / ENEC 10 / GOST / RCM	A2	III
QTP-T/E 1X18,2X18	VDE / VDE-EMC / ENEC 10 / GOST / RCM	A2 BAT	III
QTP-T/E 1X26...42,2X26 ¹⁾	VDE / ENEC 10 / VDE-EMC / GOST / RCM	A2 BAT	III
QTP-D/E 1X10...13 ¹⁾	VDE / VDE-EMC / ENEC 10 / GOST / RCM	A2	III

¹⁾ See product remark

Logistical data

Product description	Commodity code
QTP-D/E 2X10...13 ¹⁾	850410809000
QTP-T/E 1X18,2X18	850410809000
QTP-T/E 1X26...42,2X26 ¹⁾	850410809000
QTP-D/E 1X10...13 ¹⁾	850410809000

¹⁾ See product remark

Product family datasheet

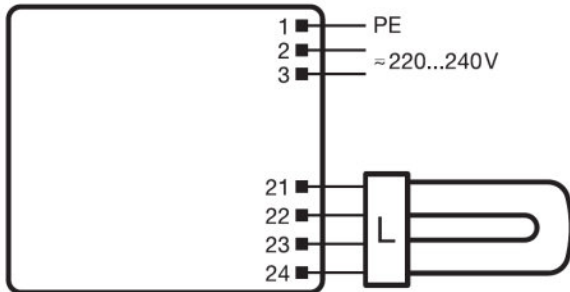
Environmental information Information according Art. 33 of EU Regulation (EC) 1907/2006 (REACH)

Product description	Date of Declaration	Primary Article Identifier	Candidate List Substance 1
QTP-D/E 2X10...13 ¹⁾	14-04-2022	4008321181596	Lead
QTP-T/E 1X18,2X18	14-04-2022	4008321537065	Lead
QTP-T/E 1X26...42,2X26 ¹⁾	14-04-2022	4008321537089	Lead
QTP-D/E 1X10...13 ¹⁾	14-04-2022	4008321181572	Lead

Product description	CAS No. of substance 1	Safe Use Instruction	Declaration No. in SCIP database
QTP-D/E 2X10...13 ¹⁾	7439-92-1	The identification of the Candidate List substance is sufficient to allow safe use of the article.	4333306c-0205-4b46-b178-52f1ff180a49
QTP-T/E 1X18,2X18	7439-92-1	The identification of the Candidate List substance is sufficient to allow safe use of the article.	afb55672-704c-4fc3-bdde-1d3c3f1641db
QTP-T/E 1X26...42,2X26 ¹⁾	7439-92-1	The identification of the Candidate List substance is sufficient to allow safe use of the article.	3553540a-4a93-41f7-978c-32b6605dae51
QTP-D/E 1X10...13 ¹⁾	7439-92-1	The identification of the Candidate List substance is sufficient to allow safe use of the article.	6b96b3d4-1ac2-4bd8-b2b5-b87b256c00a1

¹⁾ See product remark

Product family datasheet



QTP-D/E 1X10...13

Product remark

Optional cable clamp, see chapter ECG mountings - cable clamp

Application advice

For more detailed application information and graphics please see product datasheet.

Additional product information

- In order to achieve good radio interference suppression:1. Keep the cable between ECG and lamp as short as possible.2. The single lamp wires must be routed as close as possible to each other, whereas the lines of the different lamp ends must be routed separately.

Sales and Technical Support

Sales and Technical Support www.osram.com
















Country specific information

Product description	Product code	METEL code	SEG-No.	STK number	UK Org
QTP-D/E 2X10...13	4008321181596	OSRQTPDE2X1013	-	4031139	-
QTP-D/E 2X10...13	4008321181596	OSRQTPDE2X1013	-	4031139	-

Product family datasheet

QTP-T/E 1X18,2X18	4008321537065	-	-	4030041	-
QTP-T/E 1X18,2X18	4008321537065	-	-	4030041	-
QTP-T/E 1X26...42,2X26	4008321537089	-	-	4030031	-
QTP-T/E 1X26...42,2X26	4008321537089	-	-	4030031	-
QTP-D/E 1X10...13	4008321181572	OSRQTPDE1X1013	-	4031141	-
QTP-D/E 1X10...13	4008321181572	OSRQTPDE1X1013	-	4031141	-

Download Data

File	
	User instruction QUICKTRONIC QTP D E QTP T E
	Certificates 334954_ENEC-Marks approval
	Certificates 334956_EMC-Marks approval – QTP-M
	Certificates 335097_INOTEC
	Certificates 335169_Manufacturer's declaration – LampECG combinations: Frequent switching
	Certificates 504181_VDE-EMC-Certificate QTP DL_TE
	Declarations of conformity QUICKTRONIC CE 3364256 190821
	CAD data 3-dim 321714_CAD QTP-DE
	CAD data 3-dim 321715_CAD QTP-DE
	CAD data PDF 313404_123x79x33 9900041
	CAD data PDF 321716_CAD QTP-DE
	Product Datasheet 502688_ECG lifetime - QUICKTRONIC non DIM
	CAD data 3-dim 313424_93x58x29 9900039
	CAD data 3-dim 313465_93x58x29 9900039
	CAD data 3-dim 314271_93x58x29 9900039

Product family datasheet



CAD data PDF
313399_93x58x29 9900039

Ecodesign regulation information:

Separate control gear and light sources must be disposed of at certified disposal companies in accordance with Directive 2012/19/EU (WEEE) in the EU and with Waste Electrical and Electronic Equipment (WEEE) Regulations 2013 in the UK. For this purpose, collection points for recycling centres and take-back systems (CRSO) are available from retailers or private disposal companies, which accept separate control gear and light sources free of charge. In this way, raw materials are conserved and materials are recycled.

Logistical Data

Product code	Product description	Packaging unit (Pieces/Unit)	Dimensions (length x width x height)	Volume	Gross weight
4008321181596	QTP-D/E 2X10...13	Shipping carton box 20	428 mm x 78 mm x 257 mm	8.58 dm ³	4017.67 g
4008321537065	QTP-T/E 1X18,2X18	Shipping carton box 20	360 mm x 101 mm x 230 mm	8.36 dm ³	3266.00 g
4008321537089	QTP-T/E 1X26...42,2X26	Shipping carton box 20	355 mm x 96 mm x 220 mm	7.50 dm ³	3192.00 g
4008321181572	QTP-D/E 1X10...13	Shipping carton box 20	315 mm x 66 mm x 196 mm	4.07 dm ³	2127.00 g

The mentioned product code describes the smallest quantity unit which can be ordered. One shipping unit can contain one or more single products. When placing an order, for the quantity please enter single or multiples of a shipping unit.

Disclaimer

Subject to change without notice. Errors and omission excepted. Always make sure to use the most recent release.